

## Addressable Zone Monitor Unit I-9319



### Features and Benefits

1. Interface with conventional fire devices/non-addressable unit
2. Secure and speedy communication
3. Monitored cable
4. Electronically addressed
5. LED status indicator
6. Ideal for integrating Sprinkler Zone Valve and Flow Switches

### Description

I-9319 intelligent zone monitor unit is an addressable interface module, which will integrate conventional detectors or conventional manual call points to addressable system. When any of the connected devices alarms are active, the unit can send the alarm message to fire alarm controller, which generates alarm signal and displays its address. The unit can match with the conventional optical smoke detector, conventional rate of rise and fixed temperature detector and conventional manual call point etc. It has the function of checking short or open circuit of the output connection, by the End of Line Resistor (EOLR) or Active End of Line unit (AEOL recommended). The fault message includes open circuit, short circuit or any removal of the detectors.

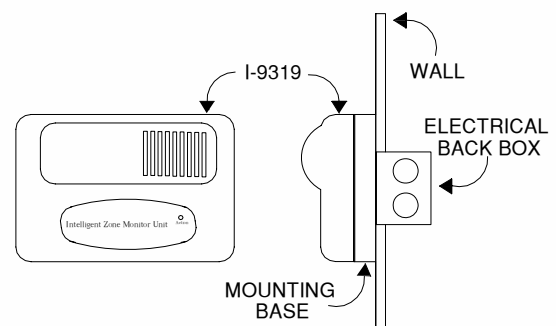
Electronic addressing can be done through Handheld Programming tool (P-9910), purchased separately.

### Technical Specifications

- Protection rating: IP 32
- Operating voltage: 24Vdc Loop voltage
- Power Supply: 24Vdc
- Operating Current:
  - Monitoring current 0.5mA
  - Action Current: 5mA
- Operating temperature: -10°C to +50°C
- Relative humidity: 95%
- Capability: 15 conventional detector (AEOL); 25 detectors (EOLR)
- End of Line: 4.7KΩ or AEOL
- Application: Indoor use
- Visual Indicator: LED, steady red when in alarm state, 3 sec interval blinking at normal state; Yellow (fault)
- Material and colour: ABS, off-white
- Wiring: 2 pair non polarized
- Dimensions: 120mmx80mmx40mm

### Mounting Module Base

The module should be installed in compliance with all local codes and/or NFPA 72 National Fire Alarm Code, NFPA 70 National Electrical Code, BS5389, and EN45. It is installed onto a standard one gang electrical box with a mounting hole that has 6.5cm spacing.



**GST England** Lion Court, Staunton Harold Hall, Melbourne Road, Ashby de la Zouch, Leicestershire, England LE65 1RT Tel: +44 1283 225 478 Fax: +44 1283 220 690

**GST Dubai** ZA04, Jebel Ali Free Zone, P.O.Box 17998, Dubai UAE  
Tel: +971 (0)4 8833 050 Fax: +971 (0)4 8833 053

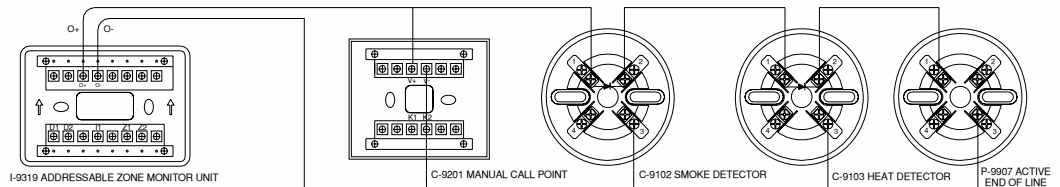
**GST China** 80, Changjiang East Road, Economic & Technology Development Zone Qinhuangdao, Hebei, China Tel: +86(0)335 850 2383 Fax: +86 (0)335 850 7588



www.gst.uk.com  
info@gst.uk.com

## Addressable Zone Monitor Unit I-9319

### Typical Wiring Diagram



### Wiring and Connection

Connect the wires to the required terminal according to the wiring diagram. The Z1, Z2 connect to addressable fire detection loop, non-polarized, the D1, D2 is for 24VDC power supply, non-polarized and the O-, O+ is for Output Circuit, note the polarity. The cable must be fire rated type and the size depends on the wiring distance and application. Minimum size gauge 1.0mm<sup>2</sup>(18 AWG)

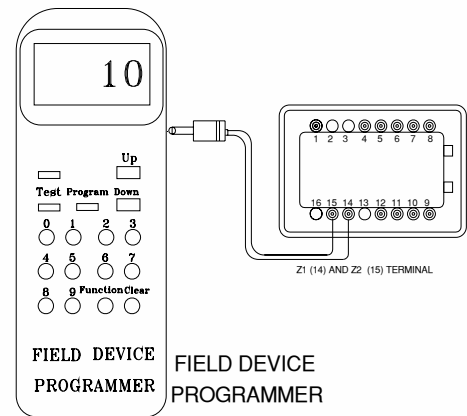
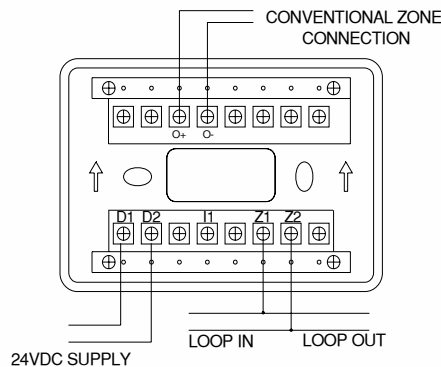


Fig.1

**Selection of compatible Control Panels**  
Compatible with all GST Intelligent Fire Alarm Panels GST 200, GST 5000, GST 9000.

### Ordering Information:

Part No	Description	Weight /Kg	Pack Qty per Box
I-9319	Addressable Zone Monitor Unit	.180	120

### Programming

The address of the module can be programmed using GST handhold programmer (P-9910), purchased separately. Connect the two wires of the handhold programmer to Z1 (14), Z2 (15) terminals of the module.fig1



Note: Specifications are subject to change without notice.

**GST England** Lion Court, Staunton Harold Hall, Melbourne Road, Ashby de la Zouch, Leicestershire, England LE65 1RT Tel: +44 1283 225 478 Fax: +44 1283 220 690

**GST Dubai** ZA04, Jebel Ali Free Zone, P.O.Box 17998, Dubai UAE Tel: +971 (0)4 8833 050 Fax: +971 (0)4 8833 053

**GST China** 80, Changjiang East Road, Economic & Technology Development Zone Qinhuangdao, Hebei, China Tel: +86(0)335 850 2383 Fax: +86 (0)335 850 7588



www.gst.uk.com  
info@gst.uk.com