

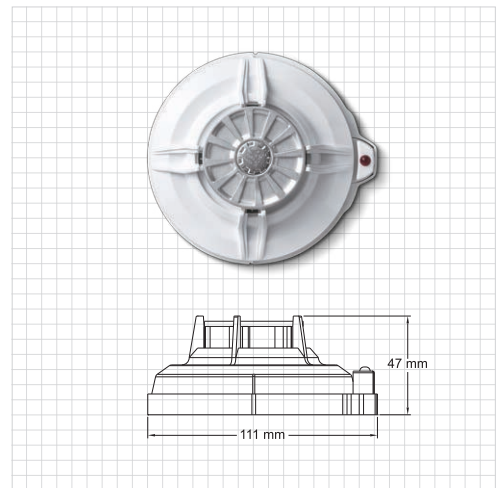
AH-9920

Mechanical Fixed Temperature Heat Detector

Characteristics

- This detector operates on the temperature differential sensing principle, with a UL approved sensor making mechanical contact. It is made of high quality material, providing excellent contact despite any environmental interference.
- This detector is suitable for locations with high temperatures differentials, such as places (kitchen, restaurant and boiler house) where there is constant use of heat.
- This detector has passed strict quality control and repetitive testing; hence its quality is durable and highly reliable.
- Through its professional design, the heat collector can accelerate its response rate after being heated, and has a protective device to avoid accidental response caused by distortion, bumping and dropping in order to increase the reliable product.
- The unit is completely sealed; its function is not affected by humidity, dust or insects.

Approvals: 



Specifications			
Model	AH-9920		
Type	2-wire	3-wire	4-wire
Alarm Contact	N/A	N/A	0.8A @30V DC 0.4A @125V AC
Thermal Setting	70°C or other selections		
Voltage Range	12 ~ 30V DC		
Alarm Current @24V DC 470Ω	40mA	40mA	30mA
Alarm Temperature	Comply to EN54		
Ambient Temperature	-10°C ~ +55°C		
Material	Fire-proof plastic		
Dimensions	111mm(Dia.) x 47mm(H)		
Weight	About 100g		
Color	White		

Effective alert area		
Construction/Height	Under 4M	4M ~ 8M
Fire-proof Building	60 M ²	30 M ²
Ordinary Building	30 M ²	15 M ²