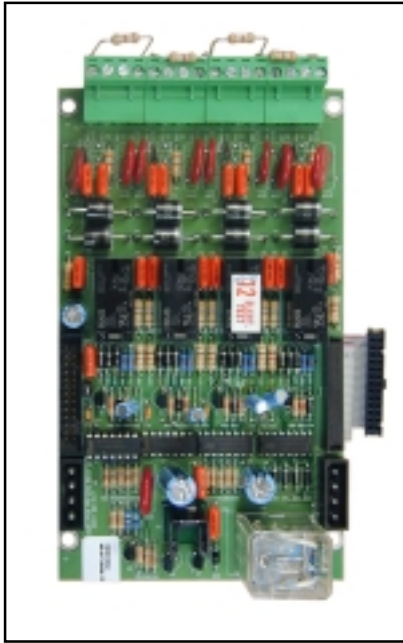


## HSGM-1004 FOUR INDICATING CIRCUIT MODULE



### STANDARD FEATURES

- Four Class A/B (Style Z/Y) Indicating Circuits
- Each Indicating Circuit is rated at 1.7 Amps
- Each Indicating Circuit can be configured as Non-Silenceable (Steady) or Silenceable
- Outputs resound on subsequent alarm
- LEDs (amber) provided for indication of Indicating Circuit trouble
- Programmable to any input circuit
- All circuits are power limited for use with limited energy cable
- Removable terminal blocks for ease of wiring and servicing
- Extensive transient protection of all circuits

### SPECIFICATIONS

Output Voltage	24 VDC Unfiltered
Standby Current	35 mA
Alarm Current (unloaded)	150 mA
Output Current per Zone - Power Limited	1.7Amps
End of Line Resistor	3.9K ohm $\pm 5\%$ , $\frac{1}{2}$ W

*Specifications subject to change without notice.*

### GENERAL

The HSGM-1004 Module provides the HCP-1000 Fire Alarm Control panels with up to 4 Class A or B (Style Z or Y) Indicating Circuits.

### APPLICATIONS

The HSGM-1004 provides up to four indicating circuits each rated at 1.7 Amps to signal devices such as strobes, bells, horns, etc. Each of the indicating circuits can be configured as non-silenceable (steady) or silenceable. In addition, each circuit comes with an individual trouble indicator. All circuits are power limited for use with limited energy cable.

### INSTALLATION

The HSGM-1004 consists of a PC board which mounts at the bottom of the chassis. The PC board is connected via cables to the board on the main chassis. Space is provided on the front panel allowing the application of slide-in labels for indicating zone description. Labels are provided with each chassis. Removable terminal blocks are provided for easy connection of field wiring and servicing.

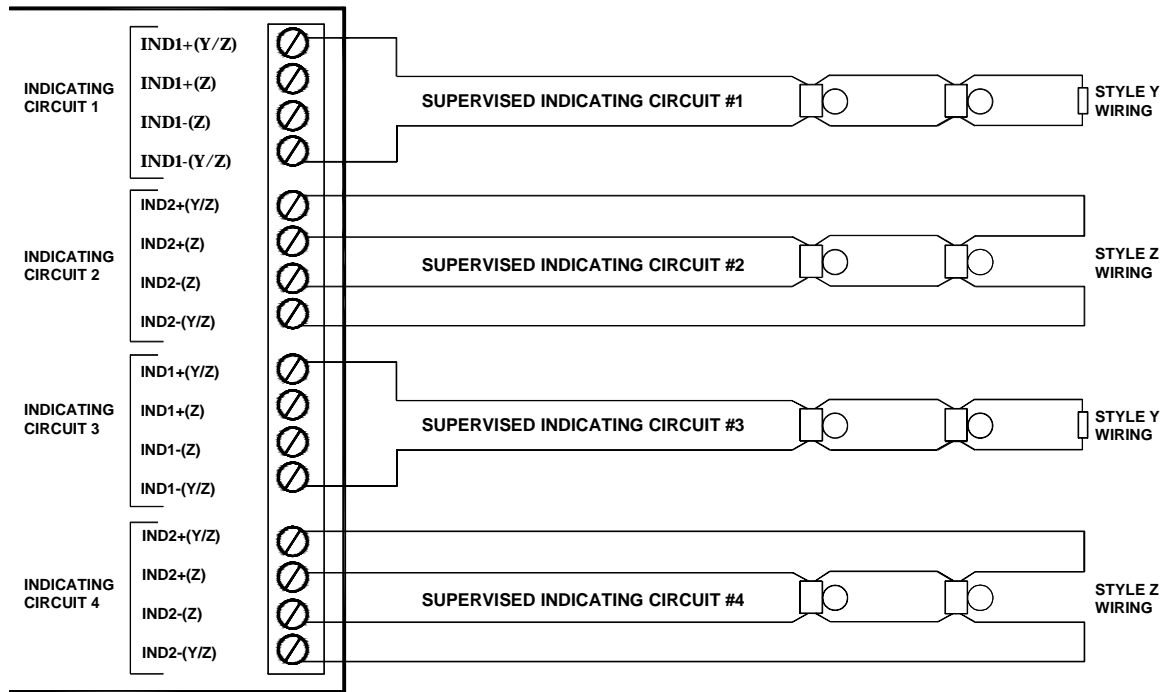
Continued on back.

### PRODUCT LISTINGS

Underwriters Laboratories: S6468

CSFM #: 7165-0410:154

# TYPICAL WIRING DIAGRAM



**NOTES:** ALL CIRCUITS ARE POWER LIMITED, AND MUST USE TYPE FPL, FPLR, OR FPLP POWER LIMITED CABLE. INDICATING CIRCUITS ARE FULLY SUPERVISED AND RATED FOR 24 VDC UNFILTERED 1.7 AMP MAX. THEY MUST BE WIRED AS SHOWN IN THE WIRING TABLES.

**LEGEND:**



BELL, HORN, OR STROBE



3.9K 1/2W ELR LISTED S5434