

Combined Type Heat Detector : DCD

Features

1. Enhanced performance
 - Early detection of sudden heat build-up and high ambient temperature
 - Dual protection by incorporating 'Rate of Rise' and 'Fixed Temperature' function
2. Modern low profile design
3. Twin LED indicator lamp
4. Low current consumption
5. Wide application
 - The DCD has the widest possible installation applicability as it designed to sense heat in a vertical or horizontal position

Applications

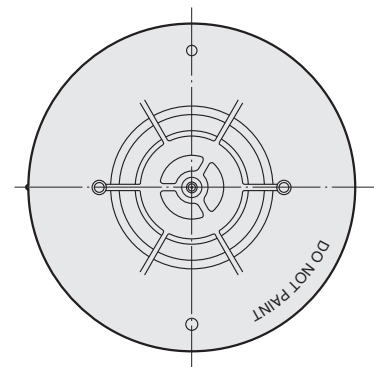
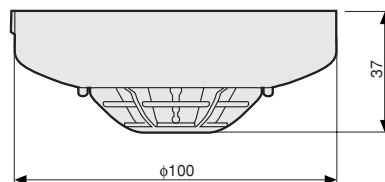
The DCD Combined Heat Detector is suited of installation where high heat output or rapid heat build up under fire condition are expected. It is also applicable to environments where smoke detectors are unsuitable because of the presence of steam or cooking fumes such as in a kitchen or boiler room. Consideration should be given to the maximum normal operating temperature before deciding on the most appropriate DCD detector for the application.

Specifications

	DCD-R1E 90°C	DCD-1E 60°C	DCD-2E 60°C	DCD-135 135°F	DCD-190 190°F
Applicable Standard	EN54 Pt5	EN54 Pt5	EN54 Pt5	UL521	UL521
Response Grade	Range 1	Grade 1	Grade 2	Ordinary	High
Rated Voltage	DC24V				
Working Voltage Range	DC 15V ~ 30V				
Current Consumption	50µA at 30V	35µA at 30V	35µA at 30V	50µA at 30V	50µA at 30V
Maximum Switching Current	40mA	40mA	40mA	150mA	150mA
Heat Sensing Current	Thermistor				
Alarming Fixed Temperature Range	80°C	58°C	62°C	135°F	190°F
Operating Ambient Temperature Range	-10°C ~ +50°C (14°F ~ 122°F)				
Storage Temperature Range	-30°C ~ +70°C (-22°F ~ 158°F)				
Allowable Ambient Humidity (at 40°C)	95% RH Non-Condensing				
Dimensions (incl, Base)	ø 100mm X 37mm (100mm X 45mm)				
Weight (incl, Base)	70g (115g)				
Color	Ivory White				
Made	JAPAN				

Compatible Bases

YBN-R/4, YBN-R/4C, YBN-R/4SK, YBK-R/5, YBK-R/5SK, YBK-R/5ZD, YBK-R/5R2
 YBO-R/5, YBO-R/5SK, YBO-R/5ZD, YBO-R/5R2, YBO-R/4A, YBO-R/4C
 Ask Hochiki for another combination



HOCHIKI CORPORATION

SINGAPORE BRANCH OFFICE

629 Aljunied Road #03-16 Cititech Industrial Building
 Singapore 389838
 Tel : 65-6841-9728 Fax : 65-6841-9781
 Email : hochiki@singnet.com.sg

HEAD OFFICE

10-43 Kamiosaki 2-Chome. Shinagawa-Ku,
 Tokyo 141-8660, Japan
 Tel : 81-(3)-3444-4116 Fax : 81-(3)-3444-4167
 URL : www.hochiki.co.jp